

Switches Accessories

Pilot Light, SWITCHOUT® Lockout Device and Weatherproof Switch Plates for Toggle Switches

Pilot Light, 120-277V AC

Description	Catalog Number
Red neon pilot light, back and side wired, fits standard switch plate.	HBL1220RJ

IP44
SUITABILITY



HBL1220RJ

Brass Locking Attachment for Switches Available in Master Keying and Straight Keying Systems

Description	Catalog Number
Straight keying (all locks alike). Appropriate for most applications. Straight cylinder type lock, each HBL96061 ordered operates on the same key. All locks are keyed alike.	HBL96061*
Same as above except in dull chrome finish to match stainless steel plates.	HBL96061DCH*



HBL96061
shown with wallplate and switch (sold separately)

Description	Catalog Number
Straight keying (individual). Straight cylinder type lock, each HBL96062 ordered operates on a different key. All locks are keyed differently and individually. This type cannot be master keyed.	HBL96062*

SWITCHOUT® Lockout Device

Description	Catalog Number
Yellow, nylon toggle switch lockout device (Two devices per package).	HSLDPK2*

Weatherproof Plates

Description	Catalog Number
Clear bubble plate, silicone rubber for use with all general purpose AC toggle and PresSwitch® switches. Fits both FS/FD and standard boxes.	HBL1795
Cast aluminum lift cover plate with fiber shield. For standard toggle and PresSwitch®. Fits only FS/FD boxes.	HBL7420



HSLDPK2

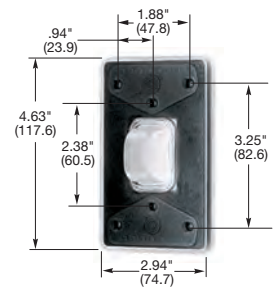
Weatherproof Plates for PresSwitch®

Description	Catalog Number
Gray neoprene PresSwitch® plate. Fits FS/FD and standard boxes.	HBL1750
Same as above except yellow.	HBL17CM50
Gray neoprene PresSwitch® plate with 125V red pilot light. Fits only FS/FD boxes.	HBL1785
Same as above except yellow.	HBL17CM85

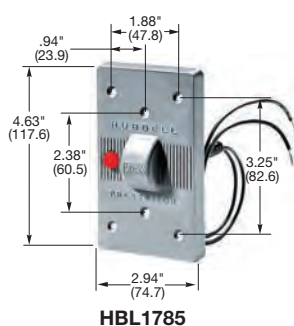


Note: *Not UL Listed or CSA Certified.

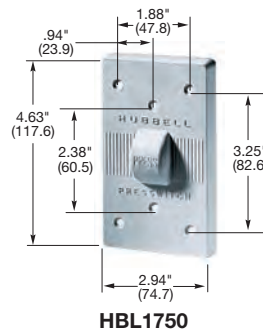
Each locking wallplate is supplied with two keys.
See section Z for additional information on safety lockout devices.
See section N for additional wallplates.



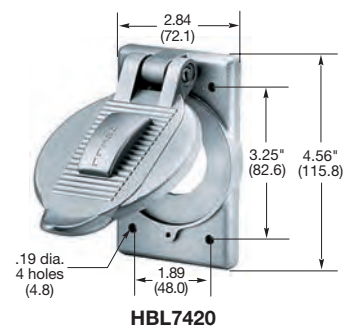
HBL1795



HBL1785



HBL1750



HBL7420

Dimensions in Inches (mm)